

Lightology

lightology.com
866-954-4489
08-05-25

Project: _____
 Company: _____
 Location: _____ Fixture Type: _____
 SPEC #: **WAC1041959**
 Approved On: _____ Approved By: _____

Cube 5IN Architectural Color Changing Pendant By WAC Lighting



Description

The Cube 5 Inch Architectural Color Changing Pendant is a high performance exterior rated LED pendant mounted light featuring the latest energy efficient LED technology in an appealing cubical profile. Driver concealed within the fixture. Tunable White for correlated color temperature range of 1650-8000K. Full color gamut control through gradients of saturated colors from 1-100%. DMX512-A with DMX commissioning via RDM. 100-1 percent intensity control in CCT & color via DMX. DMX control (by others), sold separately. Color changing and dimming can be controlled via Bluetooth with ilumenight iOS App. Includes 45 degree swivel canopy and two field-cutttable 24 inch down rods. Additional downrods may be ordered separately.

Specifications

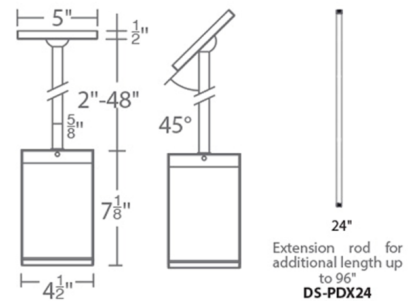
| | |
|-----------------------|--------------------------|
| COLOR | Clear |
| BODY FINISH | Black |
| WATTAGE | 31W |
| DIMMER | N/A |
| DIMENSIONS | 4.5"W x 7.13"H |
| INTEGRATED LED MODULE | 1 x LED/31W/120-277V LED |

Technical Information

| | |
|--------------------|-------------------|
| PRODUCT DIMENSIONS | Downrod: (2x)24in |
| BEAM ANGLE | 30° |
| COLOR RENDERING | 90 CRI |
| LAMP COLOR | RGB+White |
| LUMENS/WATT | 23.71 |
| LUMINOUS FLUX | 735 lumens |



Shown in black / clear



Seismic swivel tilts up to 45° to accommodate sloped ceiling



CLICK TO VIEW PRODUCT

Notes: