

# Lightology

lightology.com  
866-954-4489  
05-24-26

Project: \_\_\_\_\_  
 Company: \_\_\_\_\_  
 Location: \_\_\_\_\_ Fixture Type: \_\_\_\_\_  
 SPEC #: **WAC1042242**  
 Approved On: \_\_\_\_\_ Approved By: \_\_\_\_\_

## Ocularc Multiples 2 inch 1-Lt New Construction Housing By WAC Lighting



### Description

The Ocularc Multiples Collection 2 Inch 1-Light New Construction Housing is an airtight shallow housing available in a Non-IC and IC option. Adjustable light engine included with housing: vertical adjustment 0-40 degrees, horizontal adjustment 360 degrees. 2 inch aperture and shallow universal housing which can be used with trim and trimless options. Dimmable with an electronic low voltage (ELV), 0-10V, or Triac dimmer, sold separately. A complete fixture includes a housing and trim, sold separately.

### Specifications

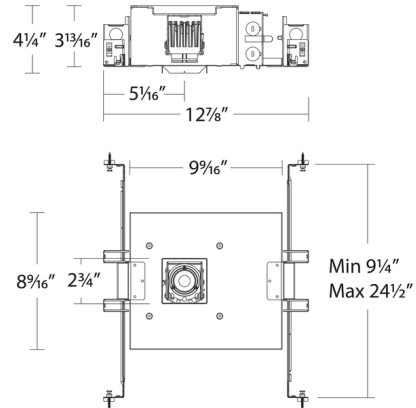
|                        |                           |
|------------------------|---------------------------|
| REFLECTOR/BAFFLE COLOR | N/A                       |
| BODY FINISH            | Black                     |
| WATTAGE                | 15W                       |
| DIMMER                 | Low Voltage Electronic    |
| DIMENSIONS             | 12.88"L x 8.63"W x 3.81"H |
| INTEGRATED LED MODULE  | 1 x LED/15W/120-277V LED  |

### Technical Information

|                 |                                  |
|-----------------|----------------------------------|
| APERTURE SIZE   | 2.000"                           |
| APERTURE SHAPE  | Square                           |
| HOUSING HEIGHT  | .4"                              |
| HOUSING TYPE    | New construction NON IC Airtight |
| CEILING TYPE    | Drywall Trimless/Flush           |
| FUNCTION        | Downlight                        |
| LAMP LIFE       | 50000 hours                      |
| BEAM ANGLE      | 16°                              |
| COLOR RENDERING | .90 CRI                          |
| LAMP COLOR      | 2700K                            |



Shown in black



CLICK TO VIEW PRODUCT

Notes: