

Lightology

lightology.com
866-954-4489
06-30-26

Project: _____
Company: _____
Location: _____ Fixture Type: _____
SPEC #: **WAC1042504**
Approved On: _____ Approved By: _____

120V LED Anti-Microbial Vertical Step Light with Photocell By WAC Lighting



Description

The LED203 120 Volt Vertical Step Light with Photocell features a low profile with no visible hardware, integrated photocell, tempered glass lens, and driver concealed within the fixture. Available in 3000K or Amber color temperature options. Fits into a 2X4 inch junction box with minimum inside dimensions of 3 inch x 2 inch x 2 inch. Available in an anti-microbial powder coat White finish proven to restrain a wide range of bacteria, coliform, mold, fungus, algae and yeast.

Specifications

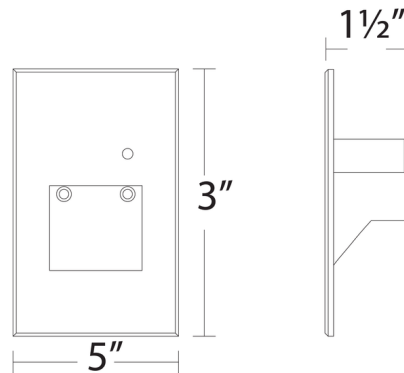
COLOR N/A
BODY FINISH White
WATTAGE 2W
DIMMER Not Dimmable
DIMENSIONS 3"W x 5"H x 1.5"D
INTEGRATED LED MODULE 1 x LED/2W/120V LED

Technical Information

LAMP LIFE 54000 hours
LAMP COLOR 3000K
LUMENS/WATT 32.50
LUMINOUS FLUX 65 lumens



Shown in white



CLICK TO VIEW PRODUCT

Notes: