

# Lightology

lightology.com  
866-954-4489  
07-11-26

Project: \_\_\_\_\_

Company: \_\_\_\_\_

Location: \_\_\_\_\_ Fixture Type: \_\_\_\_\_

SPEC #: **CER104434**

Approved On: \_\_\_\_\_ Approved By: \_\_\_\_\_

## Oris Wall Sconce

By Cerno

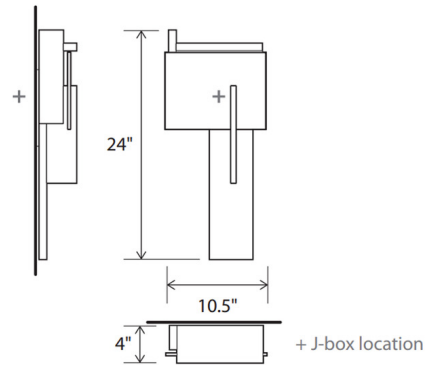


### Description

The Oris Wall Sconce has a strong and commanding presence with the thick solid stock walnut and aluminum fin that gives the feeling of permanence and integration into the surrounding area. Available with an Oiled Walnut or Dark Stained Walnut finish and Brushed Aluminum accents complemented by a frosted polymer diffuser. 2700K and 3500K color temperature options available. UL and cUL listed. ADA compliant. Made in the USA. Prop 65.



Shown in brushed aluminum / oiled walnut



### Specifications

COLOR	Oiled Walnut
BODY FINISH	Brushed Aluminum
WATTAGE	13W
DIMMER	Low Voltage Electronic
DIMENSIONS	10.5"W x 24"H x 4"D
INTEGRATED LED MODULE	1 x LED/13W/120-277V LED
COUNTRY OF ORIGIN	United States

### Technical Information

COLOR RENDERING	90 CRI
LAMP COLOR	2700K
LUMENS/WATT	86.92
LUMINOUS FLUX	1130 lumens



CLICK TO VIEW PRODUCT

Notes: