

# Lightology

lightology.com  
866-954-4489  
06-04-26

Project: \_\_\_\_\_

Company: \_\_\_\_\_

Location: \_\_\_\_\_ Fixture Type: \_\_\_\_\_

SPEC #: **CER104436**

Approved On: \_\_\_\_\_ Approved By: \_\_\_\_\_

## Muto Pendant

By Cerno



### Description

The Muto Pendant features planes of Walnut that work to both block and bounce light creating a very dynamic composition of light and shadow from any where in the room. While the pinwheel form has repeating elements that are symmetrical when viewed in the room the fixture takes on sculptural qualities. Available with a Brushed Aluminum canopy complemented by Oiled Walnut or Dark Stained Walnut shade and frosted polymer diffuser. 2700K and 3500K color temperature options available. UL and cUL listed. Made in the USA. Prop 65.

### Specifications

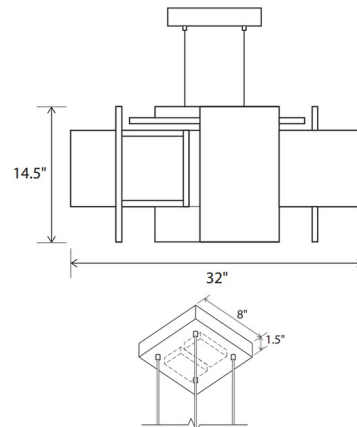
COLOR . . . . . Oiled Walnut  
BODY FINISH . . . . . Brushed Aluminum  
WATTAGE . . . . . 25W  
DIMMER . . . . . Low Voltage Electronic  
DIMENSIONS . . . . . 32"W x 14.5"H x 32"D  
INTEGRATED LED MODULE . . . . . 1 x LED/25W/120-277V LED  
COUNTRY OF ORIGIN . . . . . United States

### Technical Information

PRODUCT DIMENSIONS . . . . . Cord Length: 72"  
COLOR RENDERING . . . . . 90 CRI  
LAMP COLOR . . . . . 2700K  
LUMENS/WATT . . . . . 105.04  
LUMINOUS FLUX . . . . . 2626 lumens



Shown in brushed aluminum / oiled walnut



CLICK TO VIEW PRODUCT

Notes: