

Lightology

lightology.com
866-954-4489
06-04-26

Project: _____

Company: _____

Location: _____ Fixture Type: _____

SPEC #: **HIN1050767**

Approved On: _____ Approved By: _____

Hardy Island 12V MR16 Spot Light By Hinkley Lighting

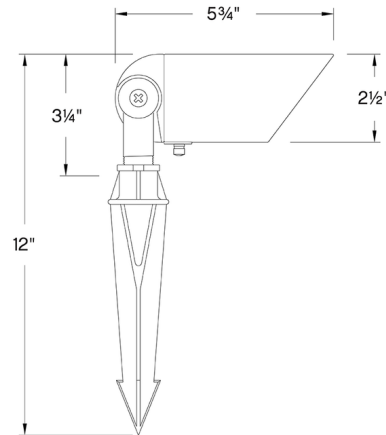


Description

Hinkley's 12V Hardy Island MR16 Spot Light is constructed of heavy duty solid brass designed for harsh environments. Accessories included: Wiring Kit and Ground Spike. Note: Required low voltage magnetic power supply and optional accessories sold separately.



Shown in satin black / clear



Specifications

COLOR	Clear
BODY FINISH	Satin Black
WATTAGE	4W
DIMMER	Low Voltage Magnetic
DIMENSIONS	5.75"W x 3.25"H x 2.5"D
BULB INCLUDED	1 x MR16/GU5.3 (bipin)/4W/12V LED

Technical Information

COLOR RENDERING	80 CRI
LAMP COLOR	2700K
LUMENS/WATT	85.00
LUMINOUS FLUX	340 lumens



CLICK TO VIEW PRODUCT

Notes: