

# Lightology

lightology.com  
866-954-4489  
07-03-26

Project: \_\_\_\_\_

Company: \_\_\_\_\_

Location: \_\_\_\_\_ Fixture Type: \_\_\_\_\_

SPEC #: **MAR1051137**

Approved On: \_\_\_\_\_ Approved By: \_\_\_\_\_

## Soho C Fixed Stem Outdoor Pendant By Marset



### Description

The Soho C Fixed Stem Outdoor Pendant adds a clean simple look to your exterior space. Features a molded polyethylene shade in Stone Grey, White, or Black with a Black stem and opal methacrylate diffuser.

### Specifications

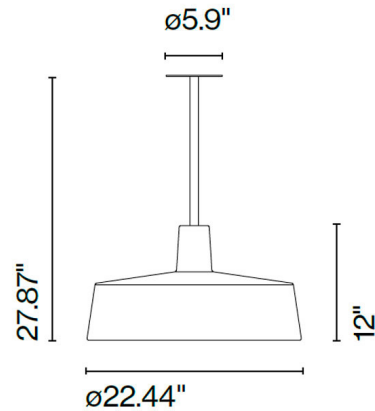
COLOR	Opal
BODY FINISH	Black
WATTAGE	28.1W
DIMMER	0-10V
DIMENSIONS	22.44"W x 12"H
INTEGRATED LED MODULE	1 x LED/28.1W/120-277V LED
COUNTRY OF ORIGIN	Spain

### Technical Information

LAMP COLOR	2700K
LUMENS/WATT	135.23
LUMINOUS FLUX	3800 lumens



Shown in black / opal



CLICK TO VIEW PRODUCT

Notes: