

Lightology

lightology.com
866-954-4489
04-22-26

Project: _____

Company: _____

Location: _____ Fixture Type: _____

SPEC #: **CTS105774**

Approved On: _____ Approved By: _____

Wa Wa Flex Table Lamp

By Catellani & Smith

Description

The Wa Wa Table Lamp is made from a nickel-plated metal base and structure with three glass lenses.

Specifications

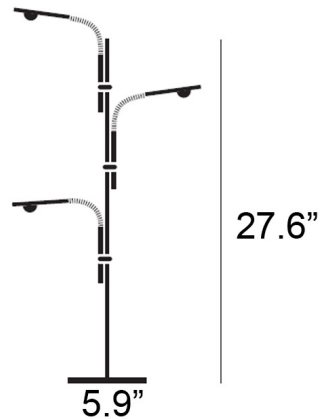
COLOR Clear
BODY FINISH Nickel
WATTAGE 3W
DIMMER Included
DIMENSIONS 6.3"W x 28"H
INTEGRATED LED MODULE 3 x LED/1W/120V LED
COUNTRY OF ORIGIN Italy

Technical Information

PRODUCT DIMENSIONS Base: 5.9" Diameter
COLOR RENDERING 80 CRI
LAMP COLOR 2800K
LUMENS/WATT 420.00
LUMINOUS FLUX 420 lumens



Shown in nickel / clear



CLICK TO VIEW PRODUCT

Notes: