

Lightology

lightology.com
866-954-4489
05-24-26

Project: _____
 Company: _____
 Location: _____ Fixture Type: _____
 SPEC #: **ELE1058278**
 Approved On: _____ Approved By: _____

Entra CL 3IN Round Flangeless Trim / Remodel Housing

By Visual Comfort Architectural



Description

The Entra CL 3 Inch Remodel Non-IC Housing with Round Flangeless Trim is offered in two lumen package options in an adjustable module with 35 degree tilt, 360 degree rotation, a fixed downlight module, or a wall wash module with asymmetric distribution. Adjustable option includes 40 degree optic. 20, 30 and 60 degree optics can be ordered separately. Note: Fixed and Wall Wash options are wet listed. Adjustable option is damp listed. Includes housing, 120/277V Universal LED driver, mud-in plate, and flangeless trim. Dimmable with standard reverse-phase, forward-phase, TRIAC, and 0-10V dimming (down to 5%).

Specifications

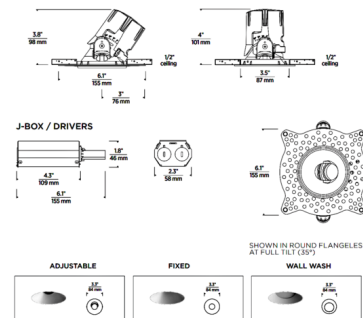
| | |
|------------------------|--------------------------|
| REFLECTOR/BAFFLE COLOR | White |
| BODY FINISH | N/A |
| WATTAGE | 15W |
| DIMMER | Low Voltage Electronic |
| DIMENSIONS | 3.45"W x 4"H |
| INTEGRATED LED MODULE | 1 x LED/15W/120-277V LED |

Technical Information

| | |
|-----------------|------------------------|
| APERTURE SIZE | 3.000" |
| APERTURE SHAPE | Round |
| HOUSING HEIGHT | 4" |
| HOUSING TYPE | Remodel NON IC |
| CEILING TYPE | Drywall Trimless/Flush |
| FUNCTION | Adjustable Accent |
| LAMP LIFE | 50000 hours |
| BEAM ANGLE | 40° |
| COLOR RENDERING | 90 CRI |
| LAMP COLOR | 3000K |
| LUMENS/WATT | 86.67 |
| LUMINOUS FLUX | 1300 lumens |



Shown in white



| DELIVERED LUMENS | ADJUSTABLE & FIXED | | | | WALL WASH | | | |
|------------------|-----------------------|--------|----------------|--------|-----------------------|--------|----------------|--|
| | STATIC WHITE | | NEUTRAL | | STATIC WHITE | | DIMMABLE | |
| lm | Efficiency | Lumens | Efficiency | Lumens | Efficiency | Lumens | Efficiency | |
| 1500 | 86 | 860 | 67 | 700 | 62 | 100 | 44 | |
| 1500 | 85 | 845 | 63 | 515 | 62 | 700 | 47 | |
| CR | 90 | | | | | | | |
| IC | NO | | | | | | | |
| UL | 2700K, 3000K or 3500K | | 3000K or 3500K | | 2700K, 3000K or 3500K | | 3000K or 3500K | |



CLICK TO VIEW PRODUCT

Notes: