



BRAND Contrast Lighting

DESCRIPTION

NW2000LM 4 Inch Low Voltage Non-IC New Construction Housing is equipped with thermal protection and is suitable for damp locations. Non-IC designation requires that insulation be kept a minimum of 3 inches away from housing. Below ceiling accessible. Takes up to 7/8 inch ceiling thickness. Low voltage magnetic 12 volt transformer included. One 50-75 watt, 12 volt GU5.3 MR16 bulb is required, but not included. Wattage dependent on housing/trim combination. Dimmable with a low voltage magnetic dimmer. Consult bulb manufacturer for low voltage magnetic dimmer compatibility when using LED bulb option. Suitable for damp locations. UL listed. 4.25 inch ceiling cut out. 15.38 inch length x 10 inch width x 5.5 inch height. A complete fixture includes a housing and trim, sold separately.

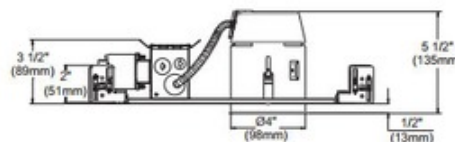
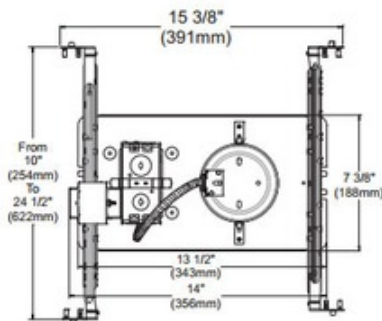


| | |
|--------------------------|--|
| TRIM COLOR | N/A |
| BODY FINISH | Galvanized Steel |
| WATTAGE | 75W |
| DIMMER | Low Voltage Magnetic |
| DIMENSIONS | 13.5"L x 10"W x 5.5"H |
| BULB NOT INCLUDED | |
| LAMP | MR16/GU5.3 (bipin)/75W/12V Halogen MR16/GU5.3 (bipin)/12V LED |

Technical Information

| | |
|-----------------------|-------------------------|
| CEILING TYPE | Drywall with Trim |
| HOUSING TYPE | New Construction NON IC |
| HOUSING HEIGHT | 6" |
| APERTURE SIZE | 4.000" |

SPEC # CLT106643



| COMPANY | PROJECT | FIXTURE TYPE | APPROVED BY | DATE |
|---------|---------|--------------|-------------|------|
| | | | | |