



BRAND

Contrast Lighting

DESCRIPTION

T3125 3.5 Inch Square Adjustable Trim is made of plated die-formed steel or powder coat painted finish. Trim finish available in White, Black, Gold Plated 24K, Chrome, Brushed Chrome, Architectural Bronze, Antique Copper, Matte White, Brushed Nickel, Satin Nickel, Metallic Grey or Antique Nickel. See attached manufacturer specification for housing/trim combination options. Lamp options include 12 volt GU5.3 MR16 halogen up to 50 watts, 120 volt GU10 MR16 halogen up to 50 watts, 120 volt PAR16 LED up to 8 watts, 12 volt GU5.3 MR16 LED up to 11.5 watts, 120 volt GU10 MR16 halogen up to 50 watts, and 120 volt GU10 MR16 LED up to 9.8 watts. Use supplied glass lens only with MR16 lamps with no glass cover. See housing for dimmer information. UL listed. Suitable for damp locations. 1 year warranty. 3 5/8 inch ceiling cutout. 4.25 inch square x 1.2 inch height. 2.7 inch round aperture. A complete fixture includes a housing and trim, sold separately.



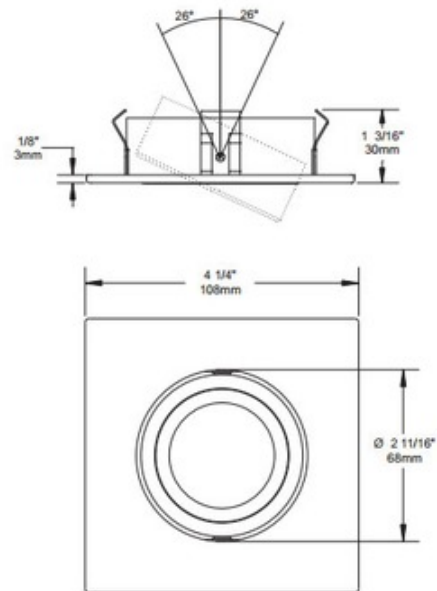
Shown in: Satin Nickel

TRIM COLOR	N/A
BODY FINISH	Satin Nickel
WATTAGE	50W
DIMMER	Dimmable
DIMENSIONS	4.25"W x 1.2"H x 4.25"D
LAMP	1 x MR16/GU5.3 (bipin)/50W/12V Halogen 1 x MR16/GU5.3 (bipin)/12V LED 1 x MR16/GU10/120V Halogen 1 x MR16/GU10/120V LED 1 x PAR16/Medium (E26)/120V LED

Technical Information

FUNCTION	Adjustable Accent
CEILING TYPE	Drywall with Trim
APERTURE SHAPE	Square
APERTURE SIZE	2.700"

ITEM NUMBER CLT106686



COMPANY	PROJECT	FIXTURE TYPE	APPROVED BY	DATE