



**BRAND**

Regina Andrew

**DESCRIPTION**

The Westport Table Lamp brings a clean cottage coastal vibe to your interior space. The nautical tone ceramic body is topped by a round linen shade. Three way switch is located on the lamp socket.



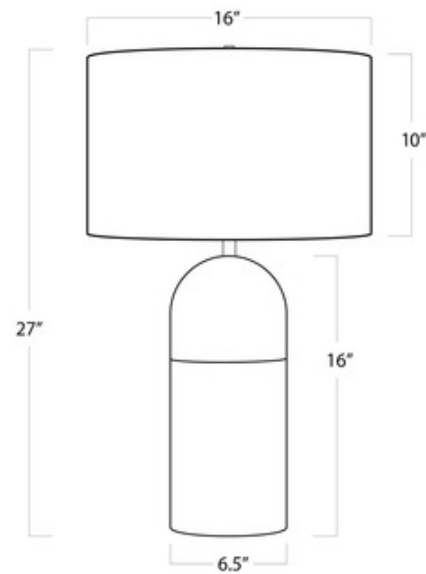
Shown in: White / White

<b>SHADE COLOR</b>	White
<b>BODY FINISH</b>	White
<b>WATTAGE</b>	150W
<b>DIMMER</b>	Included
<b>DIMENSIONS</b>	16"W x 27"H
<b>BULB NOT INCLUDED</b>	
<b>LAMP</b>	1 x A19 3-Way/Medium (E26)/150W/120V Incandescent 1 x A19 3-Way/Medium (E26)/120V LED

*Technical Information*

<b>PRODUCT DIMENSIONS</b>	Cord: 96"
---------------------------	-----------

<b>ITEM NUMBER</b>	RGN1066943
--------------------	------------



COMPANY	PROJECT	FIXTURE TYPE	APPROVED BY	DATE