



BRAND

Contrast Lighting

DESCRIPTION

T3145W 3.5 Inch Square Adjustable Regressed Wall Wash Trim is made of plated die-formed steel or powder coat painted finish with an anodized aluminum reflector. Trim finish available in White, Black, Gold Plated 24K, Chrome, Brushed Chrome, Architectural Bronze, Antique Copper, Matte White, Brushed Nickel, Satin Nickel, Metallic Grey or Antique Nickel. Additional reflector finishes include specular Clear or Black, or painted White, Black or Matte White. See attached manufacturer for housing/trim combination options. Lamp options include 12 volt GU5.3 MR16 halogen up to 50 watts, 120 volt PAR16 LED up to 8 watts, 12 volt GU5.3 MR16 LED up to 11.5 watts, and 120 volt GU10 MR16 LED up to 9.8 watts. Use supplied glass lens only with MR16 lamps with no glass cover. See housing specification for dimmer information. UL listed. Suitable for damp locations. 1 year warranty. 3 5/8 inch ceiling cutout. 4.25 inch square x 2 inch height. 2.6 inch round aperture. A complete fixture includes a housing and trim, sold separately.

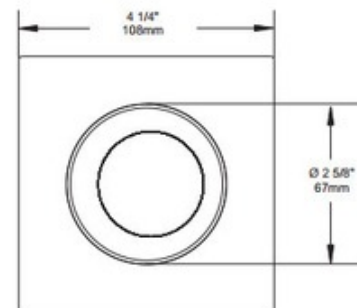
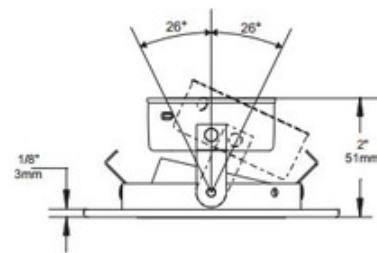


TRIM COLOR	N/A
BODY FINISH	Matte White/ Anodized Reflector
WATTAGE	50W
DIMMER	Dimmable
DIMENSIONS	4.25"W x 2"H x 4.25"D
BULB NOT INCLUDED	
LAMP	1 x MR16/GU5.3 (bipin)/50W/12V Halogen 1 x MR16/GU5.3 (bipin)/12V LED 1 x MR16/GU10/120V LED 1 x PAR16/Medium (E26)/120V LED 1 x MR16/GU10/120V Halogen

Technical Information

FUNCTION	Wall Washer
CEILING TYPE	Drywall with Trim
APERTURE SHAPE	Round
APERTURE SIZE	2.600"

SPEC # CLT106883



COMPANY	PROJECT	FIXTURE TYPE	APPROVED BY	DATE