

Lightology

lightology.com
866-954-4489
07-06-26

Project: _____

Company: _____

Location: _____ Fixture Type: _____

SPEC #: **DAI1071991**

Approved On: _____ Approved By: _____

Echo Ceiling Light

By Dainolite



Description

With clean lines and a classic shape, the Echo Ceiling Light has a thoroughly modern edge. The design features an LED light. LED fixtures produce light at up to 90 percent better efficiency than incandescent lighting. A metal frame in your choice of finish holds a sleek acrylic housing for the LED light. With its generous proportions, it makes an emphatic statement in style. Echo lighting adds a subtle note of style to bedrooms, dinettes or the main hallways of your home.

Specifications

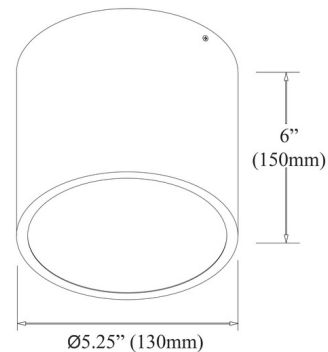
COLOR Frosted
BODY FINISH Matte Black
WATTAGE 12W
DIMMER Low Voltage Electronic
DIMENSIONS 5.25"W x 6"H
INTEGRATED LED MODULE 1 x LED/12W/120V LED
COUNTRY OF ORIGIN China

Technical Information

LAMP LIFE 30000 hours
COLOR RENDERING 90 CRI
LAMP COLOR 3000K
LUMENS/WATT 80.00
LUMINOUS FLUX 960 lumens



Shown in matte black / frosted



CLICK TO VIEW PRODUCT

Notes: