

Lightology

lightology.com
866-954-4489
05-18-26

Project: _____
 Company: _____
 Location: _____ Fixture Type: _____
 SPEC #: **DAI1072376**
 Approved On: _____ Approved By: _____

Valemont Plug-In Wall Sconce By Dainolite

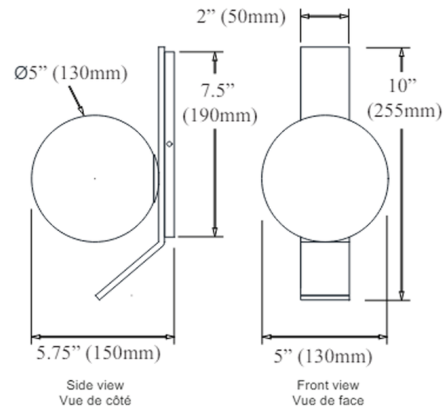


Description

The Valemont Plug-In Wall Sconce satisfies in its visually balanced geometric presentation. The design powers with components hidden in its low-profile backplate. Crafted in metal, the backplate's front panel angles forward for a touch of alluring depth. The globe shade on top appears to defy gravity. Turning on with an included switch on cord, the lamp shines through the shade with minimal glare and a generous ambiance.



Shown in matte black / opal white



Specifications

COLOR	Opal White
BODY FINISH	Matte Black
WATTAGE	6W
DIMMER	N/A
DIMENSIONS	5"W x 10"H x 5.75"D
BULB NOT INCLUDED	1 x JCD/G9/6W/120V LED
COUNTRY OF ORIGIN	China



CLICK TO VIEW PRODUCT

Notes: