



**BRAND**

Castor Design

**DESCRIPTION**

The Deadstock Catherine Table Lamp was designed around a cylindrical shade salvaged from a defunct lighting factory. The base is made from Carrara marble and the support is made of machined brass. Available with a Gunmetal Black or a White powder-coated shade. Inline dimmer on cord.



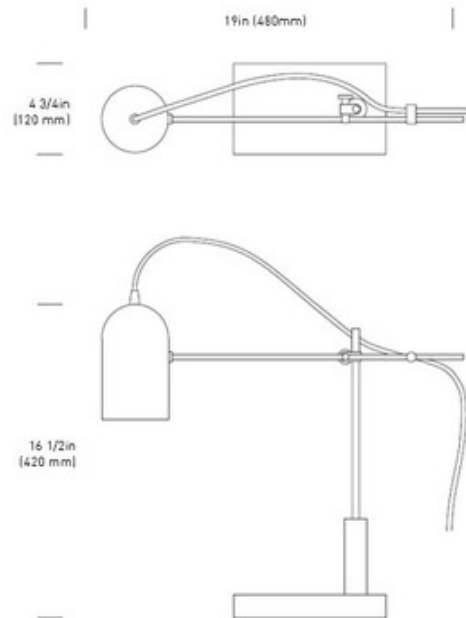
*Shown in: Brass / Black*

<b>SHADE COLOR</b>	Black
<b>BODY FINISH</b>	Brass
<b>WATTAGE</b>	5W
<b>DIMMER</b>	Included
<b>DIMENSIONS</b>	19"L x 4.75"W x 16.5"H
<b>BULB INCLUDED</b>	
<b>LAMP</b>	1 x B10/Candelabra (E12)/5W/120V LED

*Technical Information*

<b>LUMINOUS FLUX</b>	310 lumens
<b>LUMENS/WATT</b>	62.00
<b>LAMP COLOR</b>	2700K

**SPEC #** CSD107248



COMPANY	PROJECT	FIXTURE TYPE	APPROVED BY	DATE