



**BRAND**

FLOS

**DESCRIPTION**

The In Vitro Unplugged Table Lamp is an elegant option that modernizes the classic lantern into a contemporary structure blending craftsmanship and technology. A concealed LED light source is magically lit and warmly emanates through the slim glass dome shade creating an atmospheric glow. Dimmer driver 5/100240 V/50-60 Hz integrated into the body of the device with optical touch sensor on the head to regulate the brightness in 4 steps: 100 50 3 OFF. Rechargeable via micro USB-C cable included. Up to 6 hour usage per charge. Available with 2700K or 3000K color temperatures.



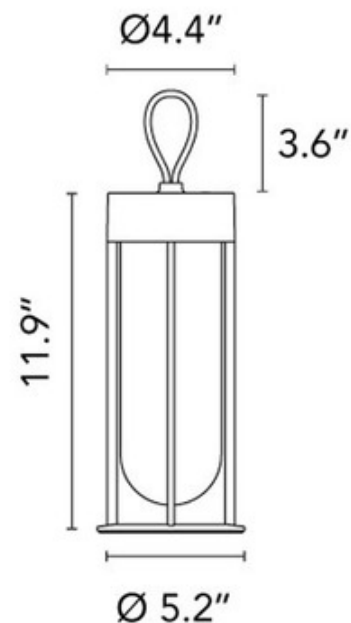
Shown in: Anthracite

<b>SHADE COLOR</b>	N/A
<b>BODY FINISH</b>	Anthracite
<b>WATTAGE</b>	2.5W
<b>DIMMER</b>	Included
<b>DIMENSIONS</b>	5.2"W x 11.9"H
<b>INTEGRATED LED MODULE</b>	
<b>LAMP</b>	1 x LED/2.5W/120V LED

*Technical Information*

<b>LUMINOUS FLUX</b>	110 lumens
<b>LUMENS/WATT</b>	44.00
<b>LAMP COLOR</b>	3000K
<b>COLOR RENDERING</b>	90 CRI

**SPEC #** FLO1072560



COMPANY	PROJECT	FIXTURE TYPE	APPROVED BY	DATE