



BRAND

FLOS

DESCRIPTION

The In Vitro Unplugged Table Lamp is an elegant option that modernizes the classic lantern into a contemporary structure blending craftsmanship and technology. A concealed LED light source is magically lit and warmly emanates through the slim glass dome shade creating an atmospheric glow. Dimmer driver 5/100240 V/50-60 Hz integrated into the body of the device with optical touch sensor on the head to regulate the brightness in 4 steps: 100 50 3 OFF. Rechargeable via micro USB-C cable included. Up to 6 hour usage per charge. Available with 2700K or 3000K color temperatures.



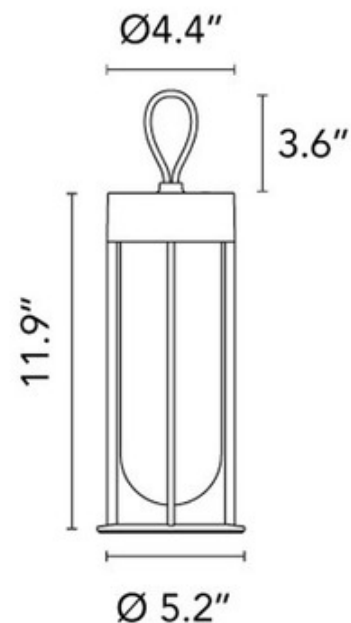
Shown in: Pale Green

SHADE COLOR	N/A
BODY FINISH	Pale Green
WATTAGE	2.5W
DIMMER	Included
DIMENSIONS	5.2"W x 11.9"H
INTEGRATED LED MODULE	
LAMP	1 x LED/2.5W/120V LED

Technical Information

LUMINOUS FLUX	110 lumens
LUMENS/WATT	44.00
LAMP COLOR	3000K
COLOR RENDERING	90 CRI

SPEC # FLO1072568



COMPANY	PROJECT	FIXTURE TYPE	APPROVED BY	DATE