



BRAND

Hammerton Studio

DESCRIPTION

The Axis Double Wall Sconce is an eye catching use of recycled glass to create functional art. Is it ice or diamonds, you decide. Pairing hand polished metalwork with thick artisan cast glass and excess materials from glassblowing creates the unique characteristics of this luxury light that will dramatically refract light in surprising ways. May be mounted horizontally or vertically. Available with 2700K or 3000K color temperature options.



Shown in: Flat Bronze / Clear Cast Glass

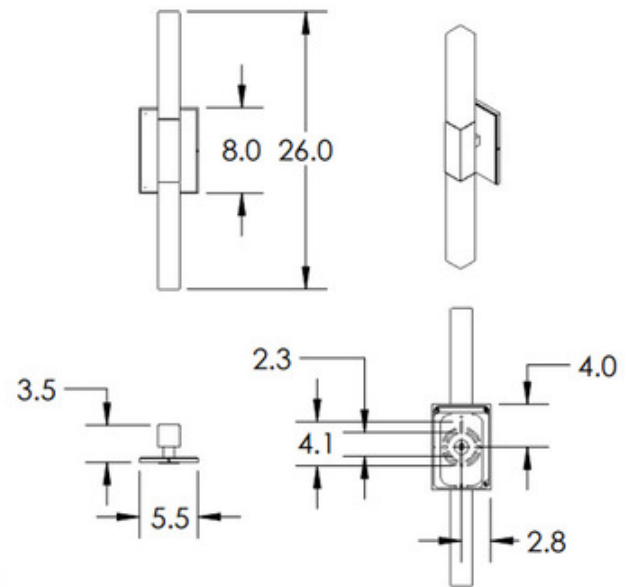
SHADE COLOR	Clear Cast Glass
BODY FINISH	Flat Bronze
WATTAGE	12W
DIMMER	Low Voltage Electronic
DIMENSIONS	5.5"W x 26"H x 3.5"D
INTEGRATED LED MODULE	
LAMP	2 x LED/6W/120V LED

Technical Information

LUMINOUS FLUX	466 lumens
LUMENS/WATT	77.67
LAMP COLOR	3000K
COLOR RENDERING	93 CRI

SPEC # HMR1073095

All dimensions are shown in inches unless otherwise stated.



Mounting Method: J-Box Wall Mount

COMPANY	PROJECT	FIXTURE TYPE	APPROVED BY	DATE