

# Lightology

lightology.com  
866-954-4489  
06-04-26

Project: \_\_\_\_\_

Company: \_\_\_\_\_

Location: \_\_\_\_\_ Fixture Type: \_\_\_\_\_

SPEC #: **HMR1073103**

Approved On: \_\_\_\_\_ Approved By: \_\_\_\_\_

## Axis Double Wall Sconce By Hammerton Studio



### Description

The Axis Double Wall Sconce is an eye catching use of recycled glass to create functional art. Is it ice or diamonds, you decide. Pairing hand polished metalwork with thick artisan cast glass and excess materials from glassblowing creates the unique characteristics of this luxury light that will dramatically refract light in surprising ways. May be mounted horizontally or vertically. Available with 2700K or 3000K color temperature options.

### Specifications

COLOR . . . . . Clear Cast Glass  
BODY FINISH . . . . . Matte Black  
WATTAGE . . . . . 12W  
DIMMER . . . . . Low Voltage Electronic  
DIMENSIONS . . . . . 5.5"W x 26"H x 3.5"D  
INTEGRATED LED MODULE . . . . . 2 x LED/6W/120V LED

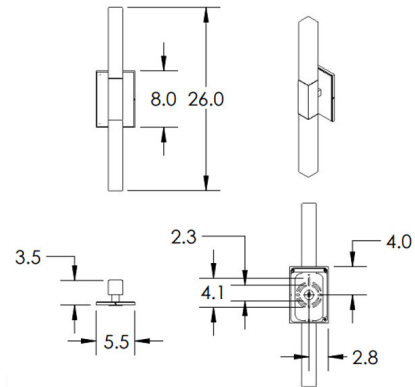
### Technical Information

COLOR RENDERING . . . . . 93 CRI  
LAMP COLOR . . . . . 3000K  
LUMENS/WATT . . . . . 77.67  
LUMINOUS FLUX . . . . . 466 lumens



Shown in matte black / clear cast glass

All dimensions are shown in inches unless otherwise stated.



Mounting Method: J-Box Wall Mount



CLICK TO VIEW PRODUCT

Notes: