



BRAND

Hammerton Studio

DESCRIPTION

The Rock Crystal Double Wall Sconce offers a balance of traditional and modern design by capturing the beauty of artisan blown glass and pairing it with an aluminum frame. Place this eye catching beauty where ever you want added glam. Available with 2700K and 3000K color temperature options.



Shown in: Gilded Brass / Chilled Clear

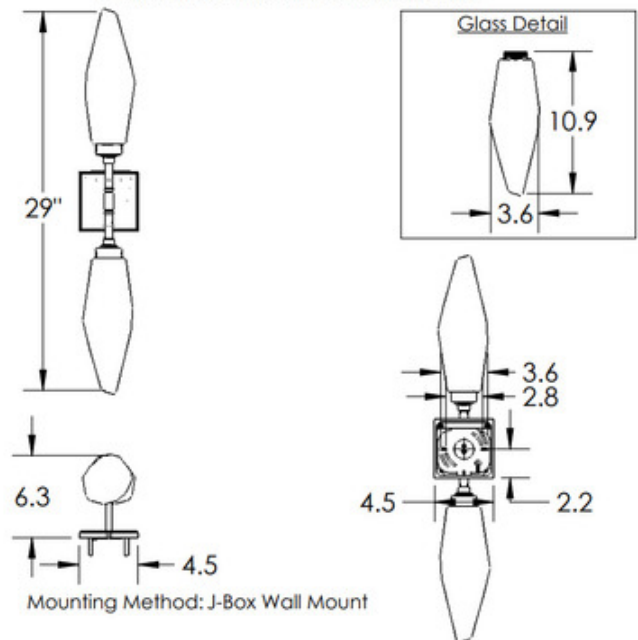
| | |
|------------------------------|------------------------|
| SHADE COLOR | Chilled Clear |
| BODY FINISH | Gilded Brass |
| WATTAGE | 12W |
| DIMMER | Low Voltage Electronic |
| DIMENSIONS | 4.5"W x 29"H x 6.3"D |
| INTEGRATED LED MODULE | |
| LAMP | 2 x LED/6W/120V LED |

Technical Information

| | |
|------------------------|------------|
| LUMINOUS FLUX | 466 lumens |
| LUMENS/WATT | 77.67 |
| LAMP COLOR | 3000K |
| COLOR RENDERING | 93 CRI |

SPEC # HMR1073689

All dimensions are shown in inches unless otherwise stated.



| COMPANY | PROJECT | FIXTURE TYPE | APPROVED BY | DATE |
|---------|---------|--------------|-------------|------|
| | | | | |