

Lightology

lightology.com
866-954-4489
07-08-26

Project: _____

Company: _____

Location: _____ Fixture Type: _____

SPEC #: **ULT1076310**

Approved On: _____ Approved By: _____

Invicta 16357 Double Shade Pendant By UltraLights

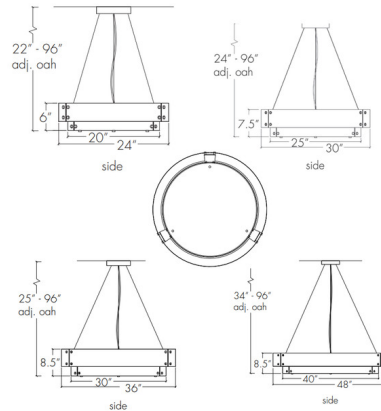


Description

The Invicta 16357 Double Pendant brings a clean detailed look to your interior space. The double acrylic shades are complemented by rivets, adding a hint of industrialism to your room. A diffuser softens the light. Available with Incandescent or LED lamp options in four sizes.



Shown in new brass / opal



Specifications

COLOR	Opal
BODY FINISH	New Brass
WATTAGE	240W
DIMMER	Standard 120V
DIMENSIONS	24"W x 6"H
BULB NOT INCLUDED	4 x A19/Medium (E26)/60W/120V Incandescent
COUNTRY OF ORIGIN	United States



CLICK TO VIEW PRODUCT

Notes: