



BRAND

DALS Lighting

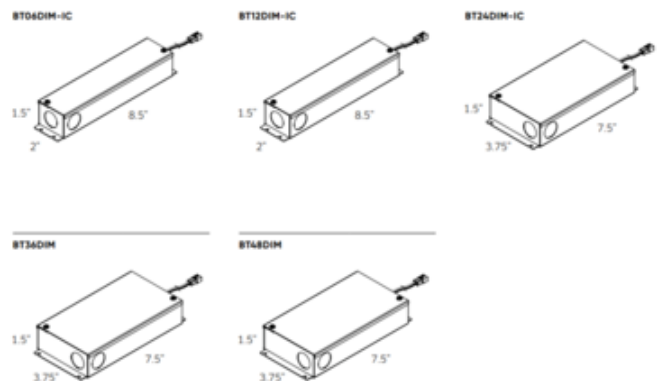
DESCRIPTION

The 12 Volt AC Dimmable LED Hardwire Driver is a constant voltage mode power supply designed for use with DALS 12V products. Integrated junction box for hardwire installation. Optimal dimming when used at 50 percent or more of total load. Input voltage: 100VAC-230VAC, 50/60Hz. Output voltage: 12V DC. Dimmable with a Triac or electronic low voltage (ELV) dimmer.



Shown in: White

SHADE COLOR	N/A
BODY FINISH	White
WATTAGE	6W
DIMMER	Low Voltage Electronic
DIMENSIONS	8.5"W x 1.5"H x 2"D
BULB NOT INCLUDED	
LAMP	N/A



SPEC # DLS1080168

COMPANY	PROJECT	FIXTURE TYPE	APPROVED BY	DATE