



BRAND

DALS Lighting

DESCRIPTION

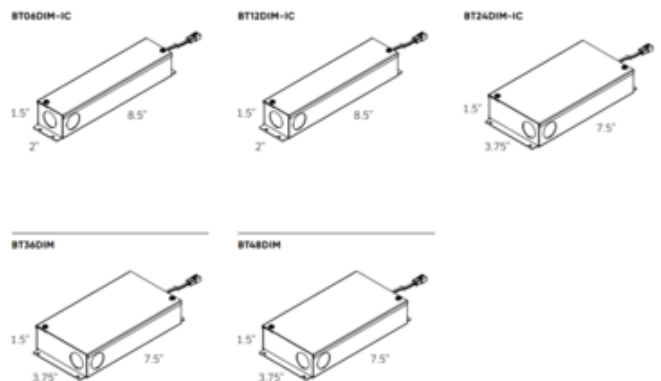
The 24 Watt 12 Volt DC Dimmable LED Hardwire Driver is a constant voltage mode power supply designed for use with DALS 12V products. Integrated junction box for hardwire installation. ETL listed. Optimal dimming when used at 50 percent or more of total load. Input voltage: 100VAC-230VAC, 50/60Hz. Output voltage: 12V DC. Dimmable with a Triac or electronic low voltage (ELV) dimmer. Recommended dimmers: Dals SM-DIMSW, Leviton 6613P, Lutron CTCL-153P, Lutron DVCL-153P, Lutron DVSCCL-153P, Lutron MACL-153M.



Shown in: White

SHADE COLOR	N/A
BODY FINISH	White
WATTAGE	24W
DIMMER	Low Voltage Electronic
DIMENSIONS	7.5"W x 1.5"H x 3.75"D
BULB NOT INCLUDED	
LAMP	N/A

SPEC # DLS1080169



COMPANY	PROJECT	FIXTURE TYPE	APPROVED BY	DATE