

Lightology

lightology.com
866-954-4489
05-24-26

Project: _____

Company: _____

Location: _____ Fixture Type: _____

SPEC #: **GRC1080806**

Approved On: _____ Approved By: _____

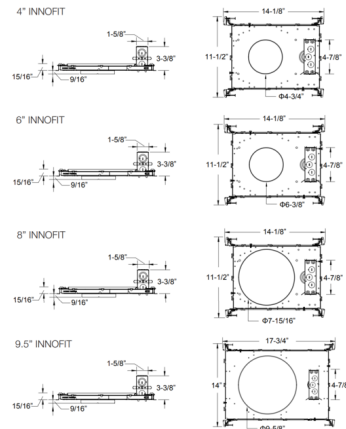
New Construction Plate for Stud/Joist and T-Grid Ceilings By Green Creative

Description

New Construction Plate for T-grid & Stud/Joist Ceilings with integral junction box and pre-installed nails. Fits standard 2x2 and 2x4 T-grids. Fits 16-24 inch stud/joist spacing. Designed for use with Green Creative Innofit and Selectfit Series. Optional field installable butterfly bracket also available for C-Chanel or conduit suspension and emergency unit brackets, sold separately.



Shown in galvanized



Specifications

COLOR	N/A
BODY FINISH	Galvanized
WATTAGE	N/A
DIMMER	N/A
DIMENSIONS	17.75"L x 14"W x 3.38"H
BULB	N/A



CLICK TO VIEW PRODUCT

Notes: