

Lightology

lightology.com
866-954-4489
05-24-26

Project: _____
 Company: _____
 Location: _____ Fixture Type: _____
 SPEC #: **GRC1080825**
 Approved On: _____ Approved By: _____

Minifit Mini 2IN RD Module Downlight with External Driver

By Green Creative



Description

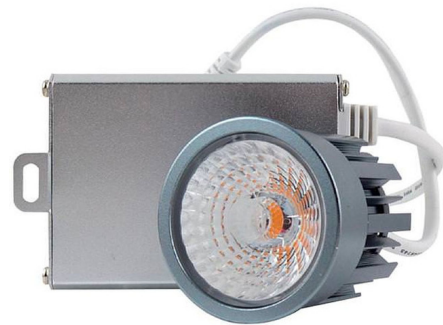
The Minifit Mini 2 Inch Module with External Driver snaps into field interchangeable trims and installs from below the ceiling. Shallow IC rated design for new construction and retrofit applications and shallow plenum applications including soffits, bulkheads, and casework. Available with Open Round Flat and Round Deep trim rings. Open Round Flat and Round Deep Trims tilt up to 45 degrees. Field interchangeable reflectors available with Round Deep Trims. ETL listed for wet locations when used with glass trims. 120V, 50/60 Hz driver. Dimmable to 10% with forward phase (TRIAC) and reverse phase (ELV) dimmers. A complete fixture consists of two items: one module and one trim, ordered separately.

Specifications

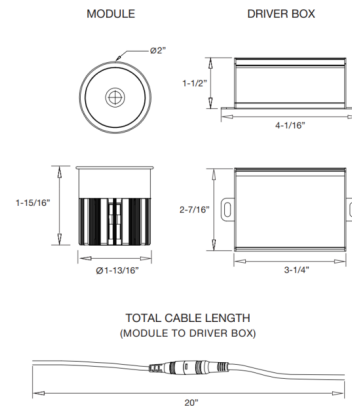
COLOR	N/A
BODY FINISH	Brushed Metal
WATTAGE	8W
DIMMER	Low Voltage Electronic
DIMENSIONS	2"W x 3.69"H
INTEGRATED LED MODULE	1 x LED/8W/120V LED

Technical Information

HOUSING HEIGHT	2"
HOUSING TYPE	Remodel IC
CEILING TYPE	Drywall with Trim
FUNCTION	Downlight
COLOR RENDERING	90 CRI
LAMP COLOR	2700K
LUMENS/WATT	97.50
LUMINOUS FLUX	780 lumens



Shown in brushed metal



CLICK TO VIEW PRODUCT

Notes: