

Lightology

lightology.com
866-954-4489
04-11-26

Project: _____

Company: _____

Location: _____ Fixture Type: _____

SPEC #: **OBT1085089**

Approved On: _____ Approved By: _____

Pine Wall Sconce By Original BTC

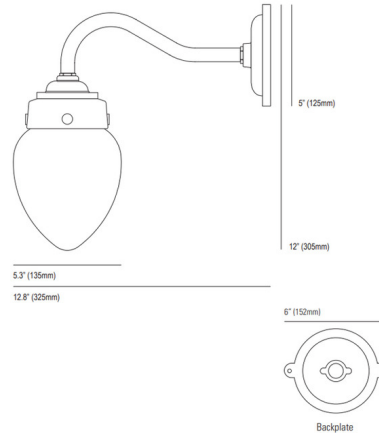


Description

The Pine Wall Sconce brings a clean look with a hint of industrialism into your room. The hand blown glass tear drop is inspired by naval ships.



Shown in weathered brass / opal



Specifications

COLOR	Opal
BODY FINISH	Weathered Brass
WATTAGE	40W
DIMMER	Standard 120V
DIMENSIONS	5.3"W x 12"H x 12.8"D
BULB NOT INCLUDED	1 x A19/Medium (E26)/40W/120V Incandescent
OTHER BULB OPTIONS	1 x A19/Medium (E26)/120V LED
COUNTRY OF ORIGIN	United Kingdom



CLICK TO VIEW PRODUCT

Notes: