

Lightology

lightology.com
866-954-4489
04-22-26

Project: _____

Company: _____

Location: _____ Fixture Type: _____

SPEC #: **VND1085304**

Approved On: _____ Approved By: _____

Bye-Bye Planter By Vondom

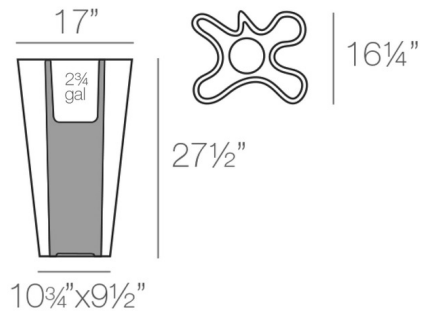


Description

Showcase your green thumbs with the Bye-Bye Planter. This unique indoor/outdoor planter is made out of rotational molding resin and features a lightweight design. These planters can be easily drilled to create draining holes to ensure your planters aren't water logged. Upgrade your planter possibilities with this lightweight planter.



Shown in white



Specifications

COLOR	N/A
BODY FINISH	White
WATTAGE	N/A
DIMMER	N/A
DIMENSIONS	17"W x 27.5"H x 16.25"D
BULB	N/A
COUNTRY OF ORIGIN	Spain



CLICK TO VIEW PRODUCT

Notes: