

Lightology

lightology.com
866-954-4489
04-15-26

Project: _____

Company: _____

Location: _____ Fixture Type: _____

SPEC #: **WOU1085683**

Approved On: _____ Approved By: _____

Kuppi Plug-In Wall Sconce By Woud Design

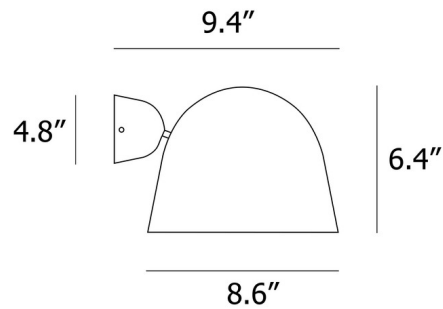


Description

The Kuppi Plug-In Wall Sconce is formed by two difference sized cups to create a minimalist silhouette. It features a metal body and a White acrylic diffuser. On/Off switch on cord.



Shown in black



Specifications

COLOR	N/A
BODY FINISH	Black
WATTAGE	25W
DIMMER	Standard 120V
DIMENSIONS	8.6"W x 6.4"H x 9.4"D
BULB NOT INCLUDED	1 x B10/Candelabra (E12)/25W/120V Incandescent
OTHER BULB OPTIONS	1 x B10/Candelabra (E12)/120V LED
COUNTRY OF ORIGIN	China



CLICK TO VIEW PRODUCT

Notes: