

Lightology

lightology.com
866-954-4489
04-21-26

Project: _____

Company: _____

Location: _____ Fixture Type: _____

SPEC #: **WOU1085689**

Approved On: _____ Approved By: _____

Pump Table Lamp

By Woud Design

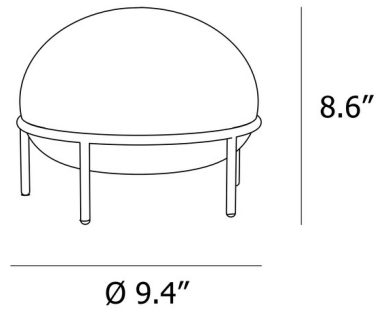


Description

Inspired by a hot air balloon, the Pump Table Lamp features a soft Opal shade resting on a Black metal base. On/Off switch on cord.



Shown in black / opal



Specifications

| | |
|--------------------|--|
| COLOR | Opal |
| BODY FINISH | Black |
| WATTAGE | 25W |
| DIMMER | N/A |
| DIMENSIONS | 9.4"W x 8.6"H |
| BULB NOT INCLUDED | 1 x B10/Candelabra (E12)/25W/120V Incandescent |
| OTHER BULB OPTIONS | 1 x B10/Candelabra (E12)/120V LED |
| COUNTRY OF ORIGIN | China |



CLICK TO VIEW PRODUCT

Notes: