

# Lightology

lightology.com  
866-954-4489  
04-26-26

Project: \_\_\_\_\_

Company: \_\_\_\_\_

Location: \_\_\_\_\_ Fixture Type: \_\_\_\_\_

SPEC #: **ART1085800**

Approved On: \_\_\_\_\_ Approved By: \_\_\_\_\_

## Arrival Table Lamp

By Artemide



### Description

The Arrival Table Lamp from Artemide, another masterpiece by Ludovica + Roberto Palomba, presents a captivating sculptural form, distilled into a tabletop essential. This exquisite piece of lighting transforms any surface it graces, infusing it with an artful blend of delicate lines and alluring curves. Its sleek Aluminum surface forms the graceful exterior, while the internal magic unfolds as soft light gently diffuses from within, creating a serene and inviting atmosphere. An integrated optical touch dimmer on the base provides intuitive and seamless control, allowing you to effortlessly adjust the light intensity with a simple touch. This thoughtful design ensures tailored illumination for reading, accent lighting, or creating a cozy ambiance. The Arrival Table Lamp is a perfect embodiment of Contemporary and Minimalist elegance, offering not just light, but a piece of art that enriches your space.

### Specifications

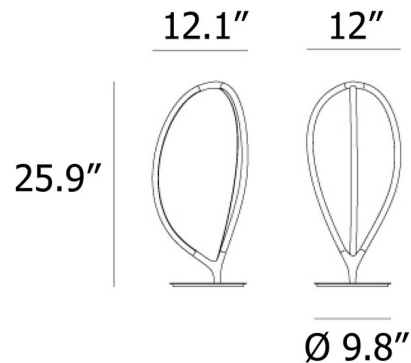
COLOR . . . . . N/A  
BODY FINISH . . . . . Brass  
WATTAGE . . . . . 16.5W  
DIMMER . . . . . Included  
DIMENSIONS . . . . . 12.1"W x 25.9"H  
INTEGRATED LED MODULE . . . . . 3 x LED/5.5W/120-277V LED  
COUNTRY OF ORIGIN . . . . . Italy

### Technical Information

LAMP LIFE . . . . . 50000 hours  
COLOR RENDERING . . . . . 90 CRI  
LAMP COLOR . . . . . 3000K  
LUMENS/WATT . . . . . 100.91  
LUMINOUS FLUX . . . . . 555 lumens



Shown in brass



CLICK TO VIEW PRODUCT

Notes: