

Lightology

lightology.com
866-954-4489
04-25-26

Project: _____
 Company: _____
 Location: _____ Fixture Type: _____
 SPEC #: **ART1085808**
 Approved On: _____ Approved By: _____

Ripple Cluster Pendant By Artemide



Description

The Ripple Cluster Pendant by Artemide, an innovative creation by BIG (Bjarke Ingels Group), is a true statement piece that transforms light into an architectural sculpture. This dynamic fixture features a captivating collection of ring pendants, each of a different diameter, arranged to create a striking visual impact and a harmonious play of light. At the heart of its engineering lies an innovative heat-conducting moulded plastic that efficiently dissipates heat, a crucial feature that allows for the use of high-power LEDs. This cutting-edge technology ensures brilliant and powerful illumination while maintaining the fixture's delicate aesthetic and extended lifespan. The combined effect of these multiple rings creates a rich, layered ambient light, making the Ripple Cluster Pendant an exceptional choice for grand entrances, spacious living areas, or prominent commercial spaces. It effortlessly elevates Architectural, Contemporary, Industrial, and Minimalist interiors with its blend of artistic design and advanced technical performance.

Specifications

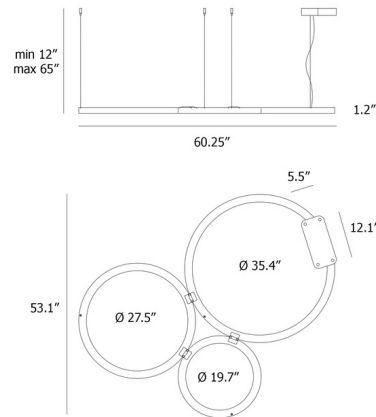
COLOR	N/A
BODY FINISH	White
WATTAGE	84W
DIMMER	0-10V
DIMENSIONS	60.25"W x 1.2"H
INTEGRATED LED MODULE	3 x LED/28W/120-277V LED
COUNTRY OF ORIGIN	Italy

Technical Information

PRODUCT DIMENSIONS	Canopy: 12.1"L x 5.5"W
LAMP LIFE	50000 hours
COLOR RENDERING	90 CRI
LAMP COLOR	3000K
LUMENS/WATT	196.79
LUMINOUS FLUX	5510 lumens



Shown in white



CLICK TO VIEW PRODUCT

Notes: