

# Lightology

lightology.com  
866-954-4489  
04-25-26

Project: \_\_\_\_\_

Company: \_\_\_\_\_

Location: \_\_\_\_\_ Fixture Type: \_\_\_\_\_

SPEC #: **AHM1085855**

Approved On: \_\_\_\_\_ Approved By: \_\_\_\_\_

## Trainor Bar Cart By Arteriors Home

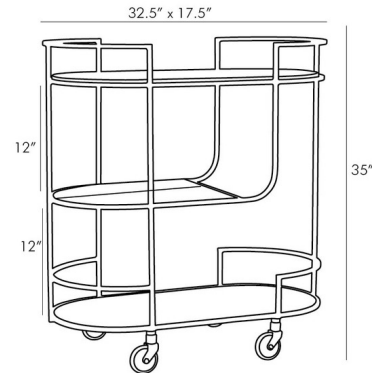


### Description

The Trainor Bar Cart brings a visual beauty to your interior space. The capsule shaped iron frame holds two glass shelves and a marble top shelf to hold what you desire.



Shown in antique brass / clear



### Specifications

COLOR	Clear
BODY FINISH	Antique Brass
WATTAGE	N/A
DIMMER	N/A
DIMENSIONS	32.5\"W x 35\"H x 17.5\"D
BULB	N/A



CLICK TO VIEW PRODUCT

Notes: