

# Lightology

lightology.com  
866-954-4489  
04-25-26

Project: \_\_\_\_\_  
 Company: \_\_\_\_\_  
 Location: \_\_\_\_\_ Fixture Type: \_\_\_\_\_  
 SPEC #: **NOM1087357**  
 Approved On: \_\_\_\_\_ Approved By: \_\_\_\_\_

## Unica Shelving Ceiling

By Nomon

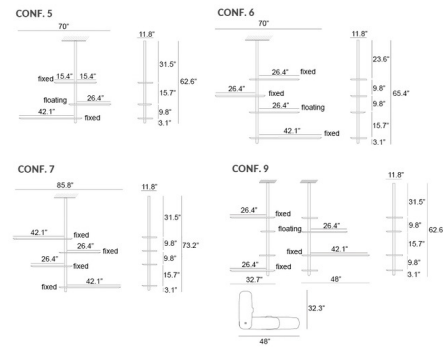


### Description

The Unica Ceiling-Mounted Shelving System invites the user to participate in its design. Configurations 5, 6, and 9 feature a floating shelf that can be swung to the right or left to suit your needs while Configuration 7 features four fixed position shelves. A central rod hangs from the ceiling and stabilizes the shelves which are fixed to the wall or floating. Configuration 9's shelves can be arranged around a corner. This functional, visually unique design offers fresh, modern style for your space. Assembly required.



Shown in black stained ash



### Specifications

COLOR	N/A
BODY FINISH	Black Stained Ash
WATTAGE	N/A
DIMMER	N/A
DIMENSIONS	70"W x 62.6"H x 11.8"D
BULB	N/A
COUNTRY OF ORIGIN	Spain

### Technical Information

PRODUCT DIMENSIONS	Item Weight: 24.51 lb
--------------------	-----------------------



CLICK TO VIEW PRODUCT

Notes: