

Lightology

lightology.com
866-954-4489
05-24-26

Project: _____
 Company: _____
 Location: _____ Fixture Type: _____
 SPEC #: **NOM1087358**
 Approved On: _____ Approved By: _____

Unica Shelving Ceiling

By Nomon

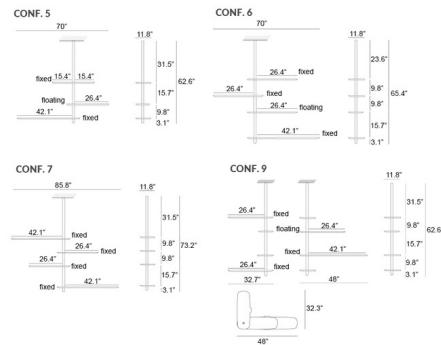


Description

The Unica Ceiling-Mounted Shelving System invites the user to participate in its design. Configurations 5, 6, and 9 feature a floating shelf that can be swung to the right or left to suit your needs while Configuration 7 features four fixed position shelves. A central rod hangs from the ceiling and stabilizes the shelves which are fixed to the wall or floating. Configuration 9's shelves can be arranged around a corner. This functional, visually unique design offers fresh, modern style for your space. Assembly required.



Shown in black stained ash



Specifications

COLOR	N/A
BODY FINISH	Black Stained Ash
WATTAGE	N/A
DIMMER	N/A
DIMENSIONS	70"W x 65.35"H x 11.8"D
BULB	N/A
COUNTRY OF ORIGIN	Spain

Technical Information

PRODUCT DIMENSIONS	Item Weight: 30.64 lb
--------------------	-----------------------



CLICK TO VIEW PRODUCT

Notes: