

# Lightology

lightology.com  
866-954-4489  
04-15-26

Project: \_\_\_\_\_  
Company: \_\_\_\_\_  
Location: \_\_\_\_\_ Fixture Type: \_\_\_\_\_  
SPEC #: **RGNI087940**  
Approved On: \_\_\_\_\_ Approved By: \_\_\_\_\_

## Austen Table Lamp

By Regina Andrew



### Description

The Austen Table Lamp combines the classic look of alabaster stone with a modern, conical shape and natural brass accents. Place the lamp in a transitional bedroom, modern living area or classic entryway for a bit of natural warmth. On/off pull chains located on socket.

### Specifications

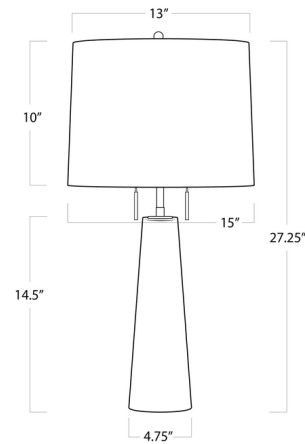
COLOR	White
BODY FINISH	Natural
WATTAGE	200W
DIMMER	N/A
DIMENSIONS	15"W x 27.25"H x 15"D
BULB NOT INCLUDED	2 x A19/Medium (E26)/100W/120V Incandescent
OTHER BULB OPTIONS	2 x A19/Medium (E26)/120V LED
COUNTRY OF ORIGIN	China

### Technical Information

PRODUCT DIMENSIONS . . . Shade: 13" top diameter x 15" bottom diameter x 10"H



Shown in natural / white



CLICK TO VIEW PRODUCT

Notes: