

Lightology

lightology.com
866-954-4489
07-10-26

Project: _____
 Company: _____
 Location: _____ Fixture Type: _____
 SPEC #: **WAC1092770**
 Approved On: _____ Approved By: _____

Pop-In 4 inch Round Color-Select New Construction Housing/Trim By WAC Lighting



Description

The Pop-In 4 Inch Round New Construction Housing with Trim is a minimum profile downlight with driver and electrical connection box attached to fixture for easy installation. IC rated and Airtight for new construction applications. May be configured in field for remodel. Color-select color temperature options switchable between 2700K/3000K/3500K/4000K and 5000K with 870 to 1080 lumens. Includes frosted TIR lens. TRIAC and ELV dimming.

Specifications

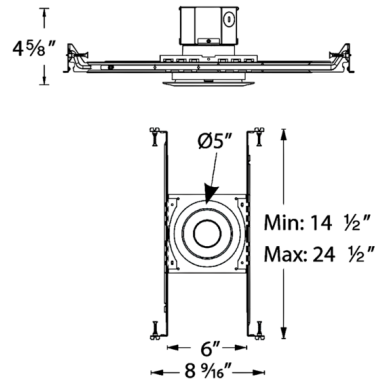
REFLECTOR/BAFFLE COLOR	Frosted
BODY FINISH	White
WATTAGE	12W
DIMMER	Low Voltage Electronic
DIMENSIONS	5"W x 4.63"H
INTEGRATED LED MODULE	1 x LED/12W/120-277V LED

Technical Information

APERTURE SHAPE	Round
HOUSING HEIGHT	4.5"
HOUSING TYPE	New construction IC Airtight
CEILING TYPE	Drywall with Trim
FUNCTION	Downlight
LAMP LIFE	50000 hours
BEAM ANGLE	45°
COLOR RENDERING	.90 CRI
LAMP COLOR	. CCT Select
LUMENS/WATT	83.33
LUMINOUS FLUX	1000 lumens



Shown in white / frosted



CLICK TO VIEW PRODUCT

Notes: