

# Lightology

lightology.com  
866-954-4489  
04-22-26

Project: \_\_\_\_\_

Company: \_\_\_\_\_

Location: \_\_\_\_\_ Fixture Type: \_\_\_\_\_

SPEC #: **IFA1097726**

Approved On: \_\_\_\_\_ Approved By: \_\_\_\_\_

## Cone Curved Wall Sconce

By Il Fanale

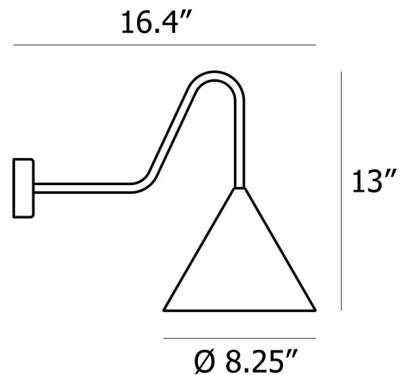


### Description

The Cone Curved Wall Sconce pays tribute to a classic silhouette with a natural simplicity. This sleek Iron cone shade extends from a matching curved arm and backplate. Ships with US compatible backplate.



Shown in morocco brown



### Specifications

COLOR	N/A
BODY FINISH	Morocco Brown
WATTAGE	10W
DIMMER	Standard 120V
DIMENSIONS	8.25"W x 13"H x 16.4"D
BULB NOT INCLUDED	1 x B10/Candelabra (E12)/10W/120V LED



CLICK TO VIEW PRODUCT

Notes: