

Lightology

lightology.com
866-954-4489
04-28-26

Project: _____
 Company: _____
 Location: _____ Fixture Type: _____
 SPEC #: **EDG1102704**
 Approved On: _____ Approved By: _____

T24 Tubo Large Downlight Track Head

By PureEdge Lighting



Description

The Tubo 24VDC Large Downlight track luminaire offers unsurpassed efficiency in comparison to traditional track lighting systems, featuring superb illumination and functionality within a small package. The cylindrical flat-back design houses the heat-sink, LED module, and integrated driver within die-cast aluminum to help dissipate heat and improve life. Available in a variety of color temperature options with five beam spreads. Lens accessories include field-changeable optic reflectors. Required system and remote power supply sold separately. PureEdge T24 Track Heads are compatible with TruTrack (TR24-1C, TR24-2C) Pipeline Systems including Modular Suspension, Pipeline Track Suspensions and Pipeline Stem Mount Wall/Display (PISDM, PT, PSTU2CR, PSTU2CR) and Surface Mount track (TS24-1C).

Specifications

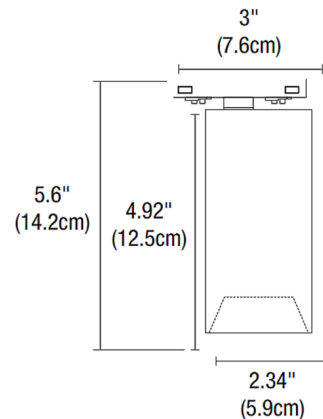
| | |
|-----------------------|------------------------|
| COLOR | N/A |
| BODY FINISH | White |
| WATTAGE | 14W |
| DIMMER | Low Voltage Electronic |
| DIMENSIONS | 2.34"W x 5.6"H |
| INTEGRATED LED MODULE | 1 x LED/14W/24V LED |

Technical Information

| | |
|-----------------|-------------|
| LAMP LIFE | 60000 hours |
| BEAM ANGLE | 10° |
| COLOR RENDERING | 92 CRI |
| LAMP COLOR | 2700K |
| LUMENS/WATT | 65.71 |
| LUMINOUS FLUX | 920 lumens |



Shown in white



CLICK TO VIEW PRODUCT

Notes: