

# Lightology

lightology.com  
866-954-4489  
04-23-26

Project: \_\_\_\_\_

Company: \_\_\_\_\_

Location: \_\_\_\_\_ Fixture Type: \_\_\_\_\_

SPEC #: **EDG1102842**

Approved On: \_\_\_\_\_ Approved By: \_\_\_\_\_

## TS24 1-Circuit Surface Track L Connector By PureEdge Lighting

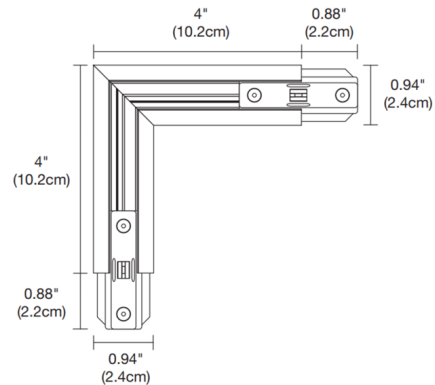


### Description

The TS24 Surface Track L Connector joins two straight track surface channels together to make a 90 degree angle. Available in Conductive or Non-Conductive. Order Non-Conductive when adding two power supplies in a square configuration. Designed for use with PureEdge Lighting TS24 24VDC 1-circuit surface mount track.



Shown in white



### Specifications

COLOR	N/A
BODY FINISH	White
WATTAGE	N/A
DIMMER	N/A
DIMENSIONS	0.94"W x 0.4"H x 4"D
BULB	N/A



CLICK TO VIEW PRODUCT

Notes: