

Lightology

lightology.com
866-954-4489
04-25-26

Project: _____

Company: _____

Location: _____ Fixture Type: _____

SPEC #: **EDG1102877**

Approved On: _____ Approved By: _____

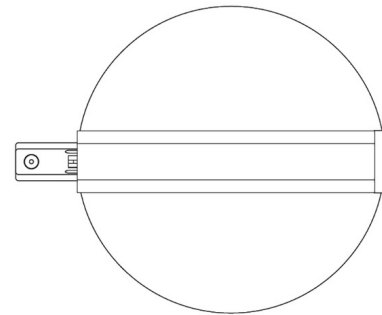
TS24 1-Circuit Surface Track Stem With Power Feed

By PureEdge Lighting

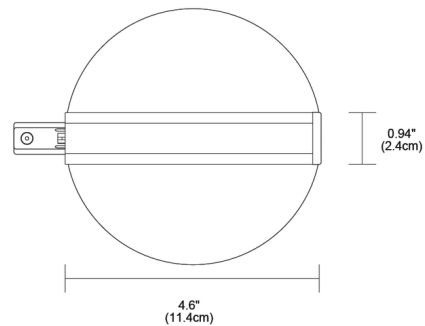


Description

The TS24 Single Circuit Track Stem With End or Center Feed allows the TS24 track to be suspended and powered from a ceiling up to 40' away with a remote power supply. Stem length available in 12 inch length with a 4.6 inch round canopy that fits on a standard junction box. Designed for use with PureEdge Lighting TS24 24VDC surface mount track. NOTE: Finish available in White only. Limited Quantities Available.



Shown in white



Specifications

COLOR	N/A
BODY FINISH	White
WATTAGE	N/A
DIMMER	N/A
DIMENSIONS	12"L x 4.6"W
BULB	N/A



CLICK TO VIEW PRODUCT

Notes: