

Lightology

lightology.com
866-954-4489
04-22-26

Project: _____

Company: _____

Location: _____ Fixture Type: _____

SPEC #: **RAB1103256**

Approved On: _____ Approved By: _____

Belvedere Table Lamp

By Robert Abbey

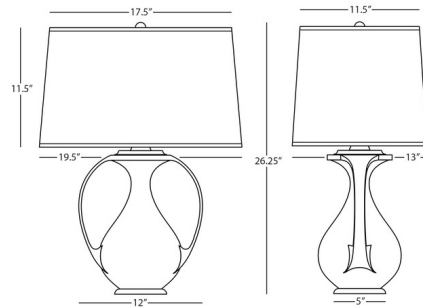


Description

The Belvedere Table Lamp takes a classic urn shape and brings it up a level with elegant curves and tapers that create a sophisticated, timeless design. Full range dimmer switch on socket.



Shown in modern brass / pearl dupioni



Specifications

COLOR Pearl Dupioni
BODY FINISH Modern Brass
WATTAGE 150W
DIMMER Included
DIMENSIONS 19.5"W x 26.25"H
BULB NOT INCLUDED 1 x A19/Medium (E26)/150W/120V Incandescent
OTHER BULB OPTIONS 1 x A19/Medium (E26)/120V LED
COUNTRY OF ORIGIN China

Technical Information

PRODUCT DIMENSIONS Shade Dimensions: 17.5"/19.5" Dia x 11.5"H



CLICK TO VIEW PRODUCT

Notes: