

Lightology

lightology.com
866-954-4489
05-25-26

Project: _____

Company: _____

Location: _____ Fixture Type: _____

SPEC #: **RAB1103477**

Approved On: _____ Approved By: _____

Belvedere Table Lamp

By Robert Abbey

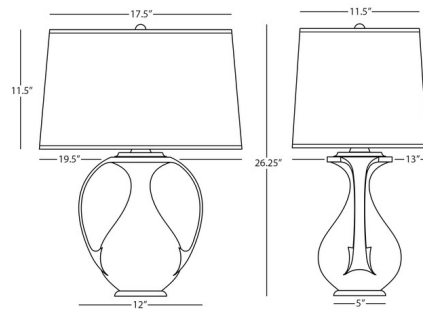


Description

The Belvedere Table Lamp takes a classic urn shape and brings it up a level with elegant curves and tapers that create a sophisticated, timeless design. Full range dimmer switch on socket.



Shown in polished nickel / pearl dupioni



Specifications

COLOR	Pearl Dupioni
BODY FINISH	Polished Nickel
WATTAGE	150W
DIMMER	Included
DIMENSIONS	19.5"W x 26.25"H
BULB NOT INCLUDED	1 x A19/Medium (E26)/150W/120V Incandescent
OTHER BULB OPTIONS	1 x A19/Medium (E26)/120V LED
COUNTRY OF ORIGIN	China



CLICK TO VIEW PRODUCT

Notes: