

Lightology

lightology.com
866-954-4489
05-25-26

Project: _____

Company: _____

Location: _____ Fixture Type: _____

SPEC #: **BRC1103959**

Approved On: _____ Approved By: _____

Delfina Pendant By Bruck

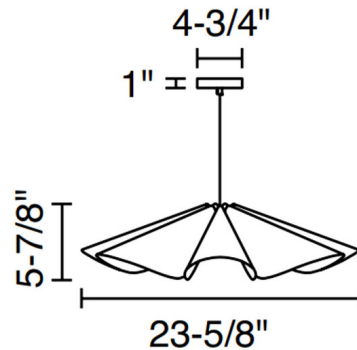


Description

The Delfina Pendant is a work of art for your living space. A two sided wood veneer section is fused with a malleable center panel for strength and flexibility. It has an intricate design that is lined with Ash. Bruck's WEP (Wood Ecological Project) collection specializes in sustainable, natural wood luminaires. Every made to order fixture's unique character is nothing short of art. WEPlight solutions help cultivate a serene environment in any space. Designed, handcrafted, and painted by master artisans with reconstructed real wood veneer from Spain and assembled in the USA. Ships fully assembled.



Shown in black / ocher / ash



Specifications

COLOR	Ocher / Ash
BODY FINISH	Black
WATTAGE	100W
DIMMER	Standard 120V
DIMENSIONS	23.6"W x 5.9"H
BULB NOT INCLUDED	A19/Medium (E26)/100W/120V Incandescent
COUNTRY OF ORIGIN	Spain



CLICK TO VIEW PRODUCT

Notes: