

# Lightology

lightology.com  
866-954-4489  
04-25-26

Project: \_\_\_\_\_

Company: \_\_\_\_\_

Location: \_\_\_\_\_ Fixture Type: \_\_\_\_\_

SPEC #: **HMR1106656**

Approved On: \_\_\_\_\_ Approved By: \_\_\_\_\_

## Pebble Wall Sconce By Hammerton Studio



### Description

Inspired by nature and jewelry, the Pebble Wall Sconce pays homage to both classic and contemporary design. The sleek metal frame provides a perfect contrast to the rondelle-shaped diffuser of textured cast glass.

### Specifications

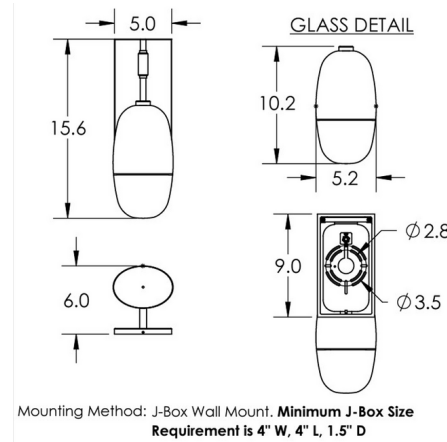
COLOR . . . . . Clear Cast Glass  
BODY FINISH . . . . . Beige Silver  
WATTAGE . . . . . 6W  
DIMMER . . . . . Standard 120V  
DIMENSIONS . . . . . 5.3"W x 15.6"H x 6"D  
INTEGRATED LED MODULE . . . . . 1 x LED/6W/120V LED

### Technical Information

PRODUCT DIMENSIONS . . . . . Backplate: 5"W x 9"H  
COLOR RENDERING . . . . . 90 CRI  
LAMP COLOR . . . . . 2700K  
LUMENS/WATT . . . . . 70.00  
LUMINOUS FLUX . . . . . 420 lumens



Shown in beige silver / clear cast glass



CLICK TO VIEW PRODUCT

Notes: