

Lightology

lightology.com
866-954-4489
04-27-26

Project: _____
 Company: _____
 Location: _____ Fixture Type: _____
 SPEC #: **HMR1106726**
 Approved On: _____ Approved By: _____

Pebble Tiered Chandelier By Hammerton Studio



Description

The Pebble Tiered Chandelier draws its inspiration from both nature and jewelry, featuring multiple pebble shaped diffusers arranged in two circular tiers. Contrasting with the sleek metalwork, each pebble is capped with a textured glass diffuser reminiscent of a rondelle-cut bead. Note: Requires junction box for fixtures over 50 pounds.

Specifications

COLOR Chilled Clear
 BODY FINISH Classic Silver
 WATTAGE 99W
 DIMMER Low Voltage Electronic
 DIMENSIONS 48"W x 40.5"H x 48"D
 INTEGRATED LED MODULE 50 x LED/1.98W/120V LED

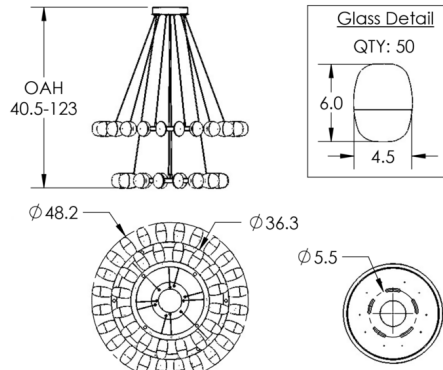
Technical Information

PRODUCT DIMENSIONS Min-Max Overall Height: 40.5" - 123"
 COLOR RENDERING 90 CRI
 LAMP COLOR 2700K
 LUMENS/WATT 4,490.91
 LUMINOUS FLUX 8892 lumens

Notes:



Shown in classic silver / chilled clear



Mounting Method: MOUNTS TO J-BOX AND CEILING



CLICK TO VIEW PRODUCT