



**BRAND**

Juno Lighting

**DESCRIPTION**

The Performance LED step light power module trim is rated for use in outdoor or indoor wall mount applications including pour, brick masonry or drywall. Trim finish available in textured Silver finish. Matte textured diffuser supplied with all trims. LED light engine and driver mounted directly to trim assembly for ease of wiring and installation into housing after rough in. Available in 3000K color temperature. Non-dimming driver accommodates input voltage of 120 volts AC at 50-60Hz. Power factor less than .9 at 120 volt input. Driver is thermally protected and has integral overload and short circuit protection. Life rated for 50,000 hours at 70 percent lumen maintenance. UL listed for wet locations. IP65 rated. 9.75 inch width x 4.1 inch depth x 3.6 inch height. **REQUIRED BACK HOUSING IC115LEDHSG sold separately.**



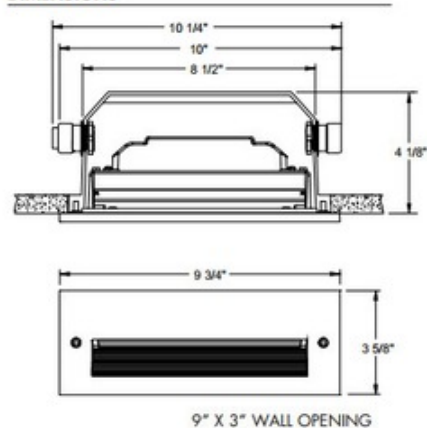
<b>SHADE COLOR</b>	N/A
<b>BODY FINISH</b>	Black
<b>WATTAGE</b>	13W
<b>DIMMER</b>	Not Dimmable
<b>DIMENSIONS</b>	9.75"W x 3.6"H x 4.1"D
<b>INTEGRATED LED MODULE</b>	
<b>LAMP</b>	1 x LED/13W/120V LED

*Technical Information*

<b>LAMP COLOR</b>	3000K
-------------------	-------

**SPEC #** JUN111480

**DIMENSIONS**



COMPANY	PROJECT	FIXTURE TYPE	APPROVED BY	DATE