

Lightology

lightology.com
866-954-4489
04-24-26

Project: _____
 Company: _____
 Location: _____ Fixture Type: _____
 SPEC #: **MAX1115559**
 Approved On: _____ Approved By: _____

Divine Wall Sconce By Maxim Lighting

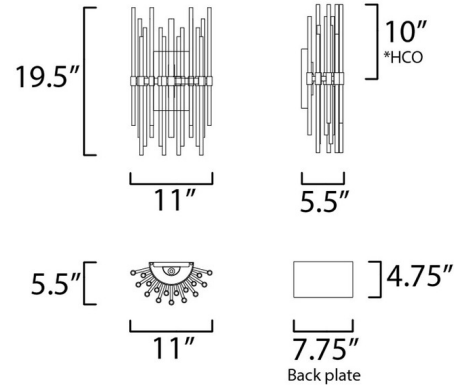


Description

The Divine Wall Sconce features a composition of Clear glass rods that are elegantly supported by thin radial arms of staggered lengths to create an iridescent motif that is truly Divine. The simplicity of this design delivers a crisp lighting fixture that works in a multitude of interior aesthetics from contemporary to traditional.



Shown in heritage brass / clear



Specifications

COLOR	Clear
BODY FINISH	Heritage Brass
WATTAGE	120W
DIMMER	Standard 120V
DIMENSIONS	11"W x 19.5"H x 5.5"D
BULB NOT INCLUDED	2 x B10/Candelabra (E12)/60W/120V Incandescent
OTHER BULB OPTIONS	2 x B10/Candelabra (E12)/120V LED



CLICK TO VIEW PRODUCT

Notes: