

Lightology

lightology.com
866-954-4489
07-09-26

Project: _____

Company: _____

Location: _____ Fixture Type: _____

SPEC #: **SON1116370**

Approved On: _____ Approved By: _____

Arctic Multi-Tier Ring Pendant By Sonneman

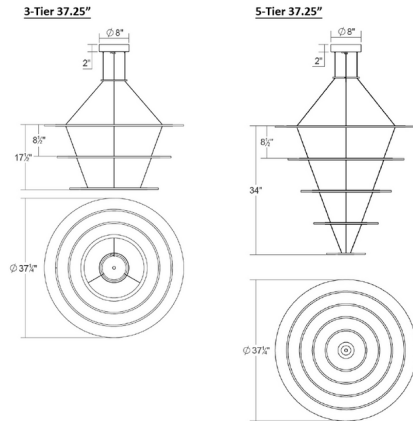


Description

The Arctic Multi-Tier Ring Pendant appears to float in space, its luminous rings suspended by thin cables as light radiates from crisp cast acrylic diffusers. The bold rings stacked in a tapered arrangement make a grand statement in your contemporary space. Includes driver located in the canopy. Note: The 5-tier pendant is only available in 37.25 inch width.



Shown in bright satin aluminum / frosted



Specifications

COLOR Frosted
BODY FINISH Bright Satin Aluminum
WATTAGE 50W
DIMMER Low Voltage Electronic
DIMENSIONS 37.25"W x 17"H
INTEGRATED LED MODULE 1 x LED/50W/120-277V LED

Technical Information

COLOR RENDERING 90 CRI
LAMP COLOR 3000K
LUMENS/WATT 70.00
LUMINOUS FLUX 3500 lumens



CLICK TO VIEW PRODUCT

Notes: