

Lightology

lightology.com
866-954-4489
04-24-26

Project: _____

Company: _____

Location: _____ Fixture Type: _____

SPEC #: **TAL1116444**

Approved On: _____ Approved By: _____

Linear Triple Pendant

By Tala



Description

The Linear Triple Pendant is designed to display a trio of Tala's decorative bulbs in an orderly row. Choose between the matte white Sphere bulbs for a clean, sophisticated look or Voronoi bulbs for a bold, industrial design. The Sphere bulbs feature Warm Dim LED lights that warm in color from 2800K to 2000K when dimmed. A Matte White powder-coated steel canopy and brass finished sockets provide just the right amount of shine to complement the bulbs.

Specifications

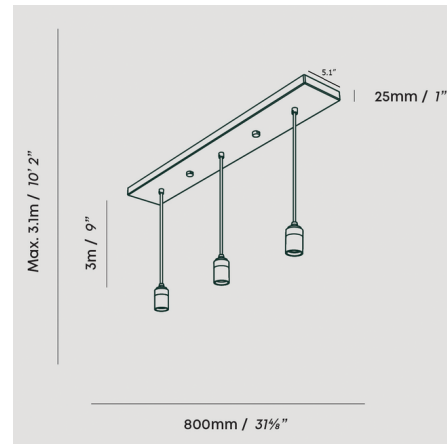
COLOR Matte White
BODY FINISH White
WATTAGE 24W
DIMMER Low Voltage Electronic
DIMENSIONS 31.5"L x 5.9"W x 6.9"H
BULB INCLUDED 3 x G40/Medium (E26)/8W/120V LED

Technical Information

PRODUCT DIMENSIONS Canopy: 31.5"L x 5.1"W x 1"H
LAMP COLOR Warm Dim
LUMENS/WATT 255.00
LUMINOUS FLUX 2040 lumens



Shown in white / matte white



CLICK TO VIEW PRODUCT

Notes: